



2022
**EXPRESS
CARGO VAN**

Still the choice as your business workhorse.

For many businesses, there's no substitute for a hardworking full-size van. Express 2500 and 3500 vans give you what matters most – a choice of strong powertrains, an easily configurable cargo bay, over 280 cubic feet of cargo space¹ and a standard-height roof that provides easy access to parking garages and takes the worry out of backing up in unfamiliar low-clearance areas. A 6.6L V8 gas engine with 401 horsepower and 464 lb.-ft. of torque is also available.



Standard wide-opening rear doors provide easy access to a massive amount of cargo space!

¹Express Cargo Van with Extended Wheelbase. Cargo and load capacity limited by weight and distribution.

INTRODUCING EXPRESS CARGO VAN

Express Cargo Van at a glance.

- Standard 4.3L V6 engine with 276 horsepower and 298 lb.-ft. of torque
- Available 6.6L V8 gas engine with 401 horsepower and 464 lb.-ft. of torque and heavy-duty 6-speed automatic transmission
- Available Duramax® 2.8L Turbo-Diesel engine with 181 horsepower and 369 lb.-ft. of torque with standard exhaust brake
- Full-frame design for strength and durability
- Up to 10,000 lbs¹ of towing capability
- Maximum payload capacity of 4,280 lbs²
- Available heavy-duty locking rear differential
- Up to 283.6 cubic feet of cargo space³
- Six standard D-ring cargo tie-downs
- Available interior bin packages and rooftop storage for ladders and other large work gear



Express Cargo Van in Summit White.

¹ With available 6.6L V8 gas engine. Maximum trailering ratings are intended for comparison purposes only. Before you buy a vehicle or use it for trailering, carefully review the Trailering section of the Owner's Manual. The trailering capacity of your specific vehicle may vary. The weight of passengers, cargo and options or accessories may reduce the amount you can trailer. ² Express 3500 Regular Wheelbase (RWB) Cargo Van with 4.3L V6 engine. These maximum payload ratings are intended for comparison purposes only. Before you buy a vehicle or use it to haul people or cargo, carefully review the Vehicle Loading section of the Owner's Manual and check the carrying capacity of your specific vehicle on the label on the inside of the driver door jamb. ³ Express Extended Wheelbase (EWB) Cargo Van. Cargo and load capacity limited by weight and distribution.

MODEL AVAILABILITY

2500 REGULAR WHEELBASE (RWB)



WHEELBASE (IN.)	STANDARD ENGINE	AVAILABLE ENGINE	MAX CARGO CAPACITY (CU. FT.) ¹	GROSS VEHICLE WEIGHT RATING (GVWR) (LBS.) ²	MAX PAYLOAD RATING (LBS.) ³	MAX TRAILERING WEIGHT RATING (LBS.) ⁴
135	4.3L V6	–	239.4	8,600	3,280	7,400
135	–	6.6L V8 gas	239.4	8,600	3,060	10,000
135	–	Duramax 2.8L I-4	239.4	8,600	2,870	7,000

2500 EXTENDED WHEELBASE (EWB)



WHEELBASE (IN.)	STANDARD ENGINE	AVAILABLE ENGINE	MAX CARGO CAPACITY (CU. FT.) ¹	GROSS VEHICLE WEIGHT RATING (GVWR) (LBS.) ²	MAX PAYLOAD RATING (LBS.) ³	MAX TRAILERING WEIGHT RATING (LBS.) ⁴
155	4.3L V6	–	283.6	8,600	3,060	7,100
155	–	6.6L V8 gas	283.6	8,600	2,790	10,000
155	–	Duramax 2.8L I-4	283.6	8,600	2,660	6,100

3500 REGULAR WHEELBASE (RWB)



WHEELBASE (IN.)	STANDARD ENGINE	AVAILABLE ENGINE	MAX CARGO CAPACITY (CU. FT.) ¹	GROSS VEHICLE WEIGHT RATING (GVWR) (LBS.) ²	MAX PAYLOAD RATING (LBS.) ³	MAX TRAILERING WEIGHT RATING (LBS.) ⁴
135	4.3L V6	–	239.4	9,600	4,280	7,400
135	–	6.6L V8 gas	239.4	9,600	4,010	10,000
135	–	Duramax 2.8L I-4	239.4	9,600	3,870	6,200

3500 EXTENDED WHEELBASE (EWB)



WHEELBASE (IN.)	STANDARD ENGINE	AVAILABLE ENGINE	MAX CARGO CAPACITY (CU. FT.) ¹	GROSS VEHICLE WEIGHT RATING (GVWR) (LBS.) ²	MAX PAYLOAD RATING (LBS.) ³	MAX TRAILERING WEIGHT RATING (LBS.) ⁴
155	4.3L V6	–	283.6	9,600	4,060	7,200
155	–	6.6L V8 gas	283.6	9,900	4,090	10,000
155	–	Duramax 2.8L I-4	283.6	9,900	3,960	6,000

¹ Cargo and load capacity limited by weight and distribution. ² Maximum Gross Vehicle Weight Rating (GVWR). When properly equipped; includes weight of vehicle, passengers, cargo and equipment. ³ These maximum payload ratings are intended for comparison purposes only. Before you buy a vehicle or use it to haul people or cargo, carefully review the Vehicle Loading section of the Owner's Manual and check the carrying capacity of your specific vehicle on the label on the inside of the driver door jamb. ⁴ Maximum trailering ratings are intended for comparison purposes only. Before you buy a vehicle or use it for trailering, carefully review the Trailering section of the Owner's Manual. The trailering capacity of your specific vehicle may vary. The weight of passengers, cargo and options or accessories may reduce the amount you can trailer.

COLORS & WHEELS

EXTERIOR COLORS



Summit White



Silver Ice Metallic



Red Hot



Black

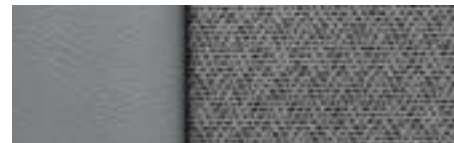
INTERIOR COLORS



Medium Pewter Vinyl



Neutral Vinyl¹



Medium Pewter Custom Cloth



Neutral Custom Cloth¹

WHEELS



16" Gray-Painted Steel Wheels with
Gray Center Caps (QB5)
Standard



16" White-Painted Steel Wheels with
Gray Center Caps (40P)
Standard

¹ Not available with Silver Ice Metallic exterior color.

STANDARD EQUIPMENT

Standard on every Express Cargo Van:

MECHANICAL
Alternator – 105 amps
Battery – 600 cold-cranking amps (CCA) with rundown protection and retained accessory power
Brakes – 4-wheel antilock, 4-wheel disc
Cooling – external engine oil cooler (4.3L V6 and 6.6L V8 gas engine)
Engine – 4.3L V6 with Variable Valve Timing (VVT) and Direct Injection – Oil Life Monitoring System
Exhaust – aluminized stainless steel muffler and tailpipe
Frame – full-length box, ladder-type
StabiliTrak® – Electronic Stability Control System with traction assistance; includes Electronic Trailer Sway Control and Hill Start Assist
Steering – integral power
Suspension – front independent with coil springs; rear with multi-leaf springs
Transmission – 8-speed automatic, electronically controlled with overdrive, Driver Shift Control and Tow/Haul mode; includes cruise grade braking and powertrain grade braking
EXTERIOR
Bumpers – front and rear, Black with step pad
Daytime running lamps
Door – passenger-side, swing-out 60/40-split
Glass – Solar-Ray® light-tinted, all-windows
Headlamps – dual halogen with automatic on/off with automatic delay
Mirrors – heated, power-adjustable, manual-folding, Black
Tire – full-size spare
Tires – LT245/75R16E all-season
Wheels – 16" Gray-painted steel with Gray center caps (Q85) and steel spare
Wipers – front intermittent wet-arm with pulse washers

INTERIOR
Airbags ¹ – frontal for driver and right-front passenger; seat-mounted side-impact for driver and right-front passenger; roof-rail mounted head-curtain provides coverage for outboard seating positions; includes frontal passenger airbag deactivation switch
Air conditioning – single-zone
Assist handles – driver and front passenger
Audio system – AM/FM stereo with MP3 player, seek-scan, digital clock, TheftLock, random select, auxiliary input jack and two front door speakers
Cargo tie-downs – six D-ring attachments on cargo area floor
Console – engine cover with open storage bin and three cup holders
Defogger – side windows
Driver Information Center – with fuel range, average speed, oil life, tire pressure monitoring, fuel used, ice warning, engine hours, average fuel economy, tachometer and maintenance reminders
Floor covering – full-length Black rubberized-vinyl
Instrument cluster – with speedometer, fuel level, engine temperature, voltage and oil pressure
Lighting – four dome lamps, one overhead and three LEDs on cross members in cargo area; includes defeat switch and door handle-activated switches
Mirror – rearview; includes Rear Vision Camera ² display
Power Convenience Package – power windows and power door locks with lockout protection
Power outlet – 120-volt – two 12-volt auxiliary on engine console cover
Rear Vision Camera ² – integrated in rearview mirror
Seats – driver and front passenger high-back bucket with head restraints and inboard armrests, vinyl trim
Theft-deterrent system – PASS-Key® III
Tire Pressure Monitoring System (does not monitor spare tire)
Available Wi-Fi® Hotspot ³ for up to seven devices, includes 1 month of unlimited data
Chevrolet Connected Access ⁴ with up to 10 years of standard connectivity, which currently enables features such as Vehicle Diagnostics and Dealer Maintenance Notification
OnStar® – up to 3 months of OnStar Safety & Security coverage ⁵

¹ A NOTE ON CHILD SAFETY: Always use seat belts and the correct child restraint for your child's age and size, even with airbags. Even in vehicles equipped with the Passenger Sensing System, children are safer when properly secured in a rear seat in the appropriate infant, child or booster seat. Never place a rear-facing infant restraint in the front seat of any vehicle equipped with an active frontal airbag. See your vehicle Owner's Manual and the child safety seat instructions for more safety information.

² Safety or driver assistance features are no substitute for the driver's responsibility to operate the vehicle in a safe manner. Read the vehicle Owner's Manual for important feature limitations and information. ³ Service varies with conditions and location.

Requires active service and paid AT&T data plan. Visit onstar.com for details and limitations. Availability subject to change. ⁴ Standard connectivity available only to original purchaser for up to 10 years. Connected Access services are subject to change.

Does not include emergency or security services. Diagnostic capabilities vary by model and service plan. Message and data rates may apply. Requires contact method on file and enrollment to receive alerts. Not all issues will deliver alerts. Visit onstar.com for details and limitations. ⁵ When you select a monthly plan within 30 days of activating your 1-month trial, you'll receive the next 2 months of the plan you select at no additional charge when you associate an approved payment method on file to your account and authorize recurring payments for your service plan. The amount and frequency of each recurring payment is based upon the service(s) and payment interval(s) you select from the options provided. After the trial expires, OnStar will automatically bill your payment method monthly at then-current standard monthly rates. Plans containing 4G LTE data will be billed every 30 days by AT&T. You may cancel at any time by pushing your blue OnStar button or calling 1-888-466-7827. May not be combined with other offers or retroactively applied. Offer subject to change.

SPECIFICATIONS

● STANDARD ○ AVAILABLE – NOT AVAILABLE

	2500 RWB	2500 EWB	3500 RWB	3500 EWB
SAFETY AND DRIVER ASSISTANCE				
Airbags ¹ – frontal airbags for driver and front outboard passenger; seat-mounted side-impact for driver and right-front passenger and roof-rail mounted head-curtain for front-row coverage with driver and right-front passenger high-back bucket seats or available driver-only high-back bucket seat; 2-row coverage with available 5-Passenger Express Crew Van Package; includes frontal passenger airbag deactivation switch	●	●	●	●
– frontal airbag ¹ for driver only (requires available driver-only high-back bucket seat)	○	○	○	○
Forward Collision Alert ² – includes Lane Departure Warning ² (requires available auxiliary lighting)	○	○	○	○
Lane Departure Warning ² (requires available Forward Collision Alert ²)	○	○	○	○
Rear Park Assist ²	○	○	○	○
Rear Vision Camera ² – integrated in rearview mirror	●	●	●	●
Side Blind Zone Alert ² (requires available Rear Park Assist)	○	○	○	○
Theft alarm notification (requires available OnStar ³ and Remote Keyless Entry)	○	○	○	○
Theft-deterrent system – PASS-Key III	●	●	●	●
Tire Pressure Monitoring System (does not monitor spare tire)	●	●	●	●
Up to 3 months of OnStar Safety & Security coverage ³	●	●	●	●
OnStar delete (requires Fleet or Government order)	○	○	○	○
OnStar Vehicle Insights ⁴ – 12 months of service (requires available Communications Package, Enhanced Convenience Package or Safety Package on 2500 RWB and 2500 EWB; requires Fleet or Government order on 3500 RWB and 3500 EWB)	○	○	○	○
MECHANICAL				
Alternator – 105 amps	●	●	●	●
– 150 amps	○	○	○	○
– 220 amps	○	○	○	○
Battery – with rundown protection and retained accessory power	●	●	●	●
– 600 cold-cranking amps (CCA)	●	●	●	●
– heavy-duty, 770 cold-cranking amps (CCA)	○	○	○	○
– dual, heavy-duty 770 cold-cranking amps (CCA) (requires available Duramax 2.8L Turbo-Diesel I-4 engine)	○	○	○	○
– dual, heavy-duty, 770 cold-cranking amps (CCA) primary and isolated 770 cold-cranking amps (CCA) secondary	○	○	○	○
Brakes – 4-wheel antilock, 4-wheel disc	●	●	●	●
– brake warning indicator	○	○	○	○

	2500 RWB	2500 EWB	3500 RWB	3500 EWB
MECHANICAL (CONTINUED)				
Cooling – external engine oil cooler (4.3L V6 and 6.6L V8 gas engine)	●	●	●	●
Differential – heavy-duty, locking rear	○	○	○	○
Engine – 4.3L V6 with Variable Valve Timing (VVT) and Direct Injection; 276 hp @ 5200 rpm, 298 lb.-ft. of torque @ 3900 rpm	●	●	●	●
– 6.6L V8 gas with Variable Valve Timing (VVT) and Direct Injection; 401 hp @ 5200 rpm, 464 lb.-ft. of torque @ 4000 rpm (requires available 150-amp or 220-amp alternator and heavy-duty 6-speed automatic transmission)	○	○	○	○
– Duramax 2.8L Turbo-Diesel DOHC I-4 with common rail Direct Injection; 181 hp @ 3400 rpm, 369 lb.-ft. of torque @ 2000 rpm; includes Diesel Exhaust Brake (requires available 150-amp or 220-amp alternator)	○	○	○	○
– engine block heater (included with available Cold Climate Package or requires available Duramax 2.8L Turbo-Diesel I-4 engine)	○	○	○	○
– Oil Life Monitoring System	●	●	●	●
Exhaust – aluminized stainless steel muffler and tailpipe	●	●	●	●
Frame – full-length box, ladder-type	●	●	●	●
High idle switch (requires available cruise control and 6.6L V8 gas engine or Duramax 2.8L Turbo-Diesel I-4 engine on 2500 RWB, 2500 EWB and 3500 RWB; requires available cruise control on 3500 EWB)	○	○	○	○
Radiator grille cover (requires available Duramax 2.8L Turbo-Diesel I-4 engine)	○	○	○	○
StabiliTrak – Electronic Stability Control System and traction assistance; includes Electronic Trailer Sway Control and Hill Start Assist	●	●	●	●
Steering – integral power	●	●	●	●
Suspension – front independent with coil springs; rear with multi-leaf springs	●	●	●	●
Trailer equipment – heavy-duty, trailering hitch platform, trailering wire harness and dual 4-pin/7-pin sealed connector	○	○	○	○
Trailer provisions – trailering wire harness only	○	○	○	○
Transmission – 8-speed automatic, electronically controlled with overdrive, Driver Shift Control and Tow/Haul mode; includes cruise grade braking and powertrain grade braking	●	●	●	●
– heavy-duty 6-speed automatic, electronically controlled with overdrive, Driver Shift Control and Tow/Haul mode; includes cruise grade braking and powertrain grade braking (requires available 6.6L V8 gas engine)	○	○	○	○
– 8-speed automatic with diesel-specific torque converter, electronically controlled with overdrive, Driver Shift Control and Tow/Haul mode; includes cruise grade braking and powertrain grade braking (requires available Duramax 2.8L Turbo-Diesel I-4 engine)	○	○	○	○

1 A NOTE ON CHILD SAFETY: Always use seat belts and the correct child restraint for your child's age and size, even with airbags. Even in vehicles equipped with the Passenger Sensing System, children are safer when properly secured in a rear seat in the appropriate infant, child or booster seat. Never place a rear-facing infant restraint in the front seat of any vehicle equipped with an active frontal airbag. See your vehicle Owner's Manual and the child safety seat instructions for more safety information.

2 Safety or driver assistance features are no substitute for the driver's responsibility to operate the vehicle in a safe manner. Read the vehicle Owner's Manual for important feature limitations and information. **3** When you select a monthly plan within 30 days of activating your 1-month trial, you'll receive the next 2 months of the plan you select at no additional charge when you associate an approved payment method on file to your account and authorize recurring payments for your service plan. The amount and frequency of each recurring payment is based upon the service(s) and payment interval(s) you select from the options provided. After the trial expires, OnStar will automatically bill your payment method monthly at then-current standard monthly rates. Plans containing 4G LTE data will be billed every 30 days by AT&T. You may cancel at any time by pushing your blue OnStar button or calling 1-888-466-7827. May not be combined with other offers or retroactively applied. Offer subject to change. **4** Terms apply. Available on select properly equipped 2015 model year and newer GM vehicles (excludes Volt, Low Cab Forward Trucks and GM vehicles built without OnStar Hardware, which includes but is not limited to select base Chevrolet and GMC trucks). Requires an active connected vehicle services plan. Fees, services, and availability subject to change without notice. Applicable taxes not included. Does not include emergency or security services. Diagnostics capabilities vary by vehicle model. Not all issues will deliver alerts. See onstarvehicleinsights.com for details and limitations.

SPECIFICATIONS (CONTINUED)

● STANDARD ○ AVAILABLE – NOT AVAILABLE

	2500 RWB	2500 EWB	3500 RWB	3500 EWB
EXTERIOR				
Antenna equipment – additional antenna, 25-ft. cable and ground plate; provides additional ability to relocate standard OnStar antenna (requires available OnStar ¹)	○	○	○	○
Bumpers – Black, front and rear with step pad	●	●	●	●
– chrome, front and rear with step pad	○	○	○	○
Daytime running lamps	●	●	●	●
Door – passenger-side, swing-out 60/40-split	●	●	●	●
– passenger-side, sliding (requires available Solar-Ray deep-tinted glass or rear door swing-out window glass)	○	○	○	○
Glass – Solar-Ray light-tinted, all-windows	●	●	●	●
– Solar-Ray deep-tinted, rear windows (requires available passenger-side swing-out window glass or rear door swing-out window glass)	○	○	○	○
Glass – rear door fixed window glass	○	○	○	○
– rear door fixed window glass and passenger-side door fixed window glass	○	○	○	○
– rear door fixed window glass, passenger-side door fixed window glass and rear passenger-side quarter fixed window glass	○	○	○	○
– full-body window glass (requires available Paratransit Package or 5-Passenger Express Crew Van Package)	○	○	○	○
– rear door swing-out window glass (restrictions apply; see dealer for details)	○	○	○	○
– passenger-side door swing-out window glass (restrictions apply; see dealer for details)	○	○	○	○
Grille – Black center bar	●	●	●	●
– chrome center bar (requires available Chrome Appearance Package)	○	○	○	○
Headlamps – dual halogen with automatic on/off with automatic delay	●	●	●	●
Horn – dual-note	○	○	○	○
Mirrors – heated, power-adjustable, manual-folding, Black	●	●	●	●
Tire – full-size spare	●	●	●	●
– spare tire delete	○	○	○	○
Tires – LT245/75R16E all-season	●	●	●	●
Wheels – 16" Gray-painted steel with Gray center caps and steel spare (QB5)	●	●	●	●
– 16" White-painted steel with Gray center caps and steel spare (40P)	○	○	○	○
– chrome center caps (P03)	○	○	○	○
Window security bar – rear side door glass (requires available rear door fixed window glass and passenger-side door fixed window glass or rear door fixed window glass, passenger-side door fixed window glass and rear passenger-side quarter fixed window glass)	○	○	○	○
Wipers – front intermittent wet-arm with pulse washers	●	●	●	●

	2500 RWB	2500 EWB	3500 RWB	3500 EWB
INTERIOR				
Air conditioning – single-zone	●	●	●	●
– rear; includes rear auxiliary heater (requires available auxiliary lighting and 150-amp alternator on 2500 RWB and 3500 RWB; requires available 150-amp alternator on 2500 EWB and 3500 EWB)	○	○	○	○
Assist handles – driver and front passenger	●	●	●	●
Cargo liner – spray-in (requires available rear floor covering delete and driver and front passenger high-back bucket seats or driver-only high-back bucket seat)	○	○	○	○
Cargo tie-downs – six D-ring attachments on cargo area floor	●	●	●	●
Compass – display in Driver Information Center (requires available auxiliary lighting)	○	○	○	○
Console – engine cover with open storage bin and three cup holders	●	●	●	●
– engine cover with swing-out storage bin	○	○	○	○
Cruise control – electronic with Set and Resume Speed, steering wheel-mounted (requires available Driver Convenience Package)	○	○	○	○
Defogger – side windows	●	●	●	●
– rear-window (requires available rear door fixed window glass or rear door swing-out window glass and Solar-Ray deep-tinted rear windows)	○	○	○	○
Door locks – power programmable with lockout protection and manual rear door child security; included with Power Convenience Package	●	●	●	●
Driver Information Center – with fuel range, average speed, oil life, tire pressure monitoring, fuel used, ice warning, engine hours, average fuel economy, tachometer and maintenance reminders	●	●	●	●
Floor covering – full-length Black rubberized-vinyl	●	●	●	●
– rear delete, front only	○	○	○	○
Heater – rear auxiliary (requires available rear air conditioning; requires available auxiliary heat generator with Duramax 2.8L Turbo-Diesel I-4 engine)	○	○	○	○
Instrument cluster – with speedometer, fuel level, engine temperature, voltage and oil pressure	●	●	●	●
Lighting – four dome lamps, one overhead and three LEDs on cross members in cargo area; includes defeat switch and door handle-activated switches	●	●	●	●
– auxiliary lighting with reading and underhood lamps	○	○	○	○
Mirror – rearview; includes Rear Vision Camera ² display	●	●	●	●
Power Convenience Package – power windows and power door locks with lockout protection	●	●	●	●
Power outlet – 120-volt	●	●	●	●
– two 12-volt auxiliary on engine console cover	●	●	●	●
Remote Keyless Entry	○	○	○	○
Remote vehicle starter system (requires available Remote Keyless Entry)	○	○	○	○

¹ When you select a monthly plan within 30 days of activating your 1-month trial, you'll receive the next 2 months of the plan you select at no additional charge when you associate an approved payment method on file to your account and authorize recurring payments for your service plan. The amount and frequency of each recurring payment is based upon the service(s) and payment interval(s) you select from the options provided. After the trial expires, OnStar will automatically bill your payment method monthly at then-current standard monthly rates. Plans containing 4G LTE data will be billed every 30 days by AT&T. You may cancel at any time by pushing your blue OnStar button or calling 1-888-466-7827. May not be combined with other offers or retroactively applied. Offer subject to change. ² Safety or driver assistance features are no substitute for the driver's responsibility to operate the vehicle in a safe manner. Read the vehicle Owner's Manual for important feature limitations and information.

SPECIFICATIONS (CONTINUED)

● STANDARD ○ AVAILABLE – NOT AVAILABLE

	2500 RWB	2500 EWB	3500 RWB	3500 EWB
INTERIOR (CONTINUED)				
Steering column – manual tilt-wheel (requires available Driver Convenience Package)	○	○	○	○
Steering wheel – leather-wrapped (requires available Driver Convenience Package)	○	○	○	○
– mounted audio, cruise and phone controls (requires available Communications Package or leather-wrapped steering wheel and Driver Convenience Package)	○	○	○	○
Temperature display – outside, in Driver Information Center	○	○	○	○
Trim panels – passenger-side swing-out 60/40-split door and rear doors	●	●	●	●
– trim panels delete	○	○	○	○
Visors – driver and front passenger, cloth	●	●	●	●
– driver and front passenger, vinyl	○	○	○	○
Windows – power with driver express-up/-down; included with Power Convenience Package	●	●	●	●
SEATING				
Seats – driver and front passenger high-back bucket with head restraints and inboard armrests, vinyl trim	●	●	●	●
– driver and front passenger high-back bucket with Custom Cloth trim; includes engine console cover with swing-out storage bin	○	○	○	○
– driver-only high-back bucket seat; includes frontal airbag ¹ for driver only	○	○	○	○
– 5-passenger seating; includes second-row 3-passenger bench seat (requires available 5-Passenger Express Cargo Van Package)	○	○	○	○
Seat – driver 6-way power adjuster (requires available Custom Cloth trim)	○	○	○	○
– front passenger 6-way power adjuster (requires available Custom Cloth trim and driver 6-way power seat adjuster)	○	○	○	○

	2500 RWB	2500 EWB	3500 RWB	3500 EWB
ENTERTAINMENT				
Audio – AM/FM stereo with MP3 playback capability, seek-scan, digital clock, auxiliary input jack, TheftLock, random select and two front door speakers	●	●	●	●
– AM/FM stereo with MP3 playback capability and USB port ² ; seek-scan, digital clock, auxiliary input jack, TheftLock, random select and two front door speakers; includes SiriusXM ³ 3-month trial subscription – radio provisions only, includes alarm warning chimes, radio wiring harness, radio antenna and two front door speakers (requires Fleet or Government order)	○	○	○	○
Bluetooth ⁴ audio streaming ⁴ for select phones (requires available leather-wrapped steering wheel with mounted audio, cruise and phone controls and Driver Convenience Package)	○	○	○	○
SiriusXM ³ – 3-month trial subscription (requires available AM/FM stereo with MP3 playback capability and USB port ²)	○	○	○	○
Wiring junction block – equipment accessory includes two 30-amp circuits (requires available 150-amp or 220-amp alternator, and dual heavy-duty 770 cold-cranking amps [CCA] primary and isolated secondary batteries)	○	○	○	○
Available Wi-Fi ⁵ Hotspot ⁵ for up to seven devices, includes 1 month of unlimited data	●	●	●	●
Chevrolet Connected Access ⁶ with up to 10 years of standard connectivity, which currently enables features such as Vehicle Diagnostics and Dealer Maintenance Notification	●	●	●	●

¹ A NOTE ON CHILD SAFETY: Always use seat belts and the correct child restraint for your child's age and size, even with airbags. Even in vehicles equipped with the Passenger Sensing System, children are safer when properly secured in a rear seat in the appropriate infant, child or booster seat. Never place a rear-facing infant restraint in the front seat of any vehicle equipped with an active frontal airbag. See your vehicle Owner's Manual and the child safety seat instructions for more safety information.
² Not compatible with all devices. ³ If you decide to continue service after your trial, your selected subscription plan will automatically renew thereafter. You will be charged at then-current rates. Fees and taxes apply. To cancel you must call SiriusXM at 1-866-635-2349. See SiriusXM Customer Agreement for complete terms at siriusxm.com. All fees and programming subject to change. ⁴ Go to my.chevrolet.com/learnAbout/bluetooth to find out which phones are compatible with the vehicle. Full Bluetooth feature functionality varies by device, model and software version. ⁵ Service varies with conditions and location. Requires active service and paid AT&T data plan. Visit onstar.com for details and limitations. Availability subject to change. ⁶ Standard connectivity available only to original purchaser for up to 10 years. Connected Access services are subject to change. Does not include emergency or security services. Diagnostic capabilities vary by model and service plan. Message and data rates may apply. Requires contact method on file and enrollment to receive alerts. Not all issues will deliver alerts. Visit onstar.com for details and limitations.

AVAILABLE PACKAGES

● STANDARD ○ AVAILABLE – NOT AVAILABLE

	2500 RWB	2500 EWB	3500 RWB	3500 EWB
MECHANICAL				
Cold Climate Package	○	○	○	○
Engine block heater; includes auxiliary heat generator with available Duramax 2.8L Turbo-Diesel I-4 engine				
EXTERIOR				
Ambulance Package (Incomplete Vehicle)	–	–	–	○
220-amp alternator, dual heavy-duty 770 cold-cranking amps (CCA) primary and isolated secondary batteries, wiring junction block equipment accessory, driver and front passenger vinyl visors, incomplete vehicle certification, high idle switch, cruise control, Chrome Appearance Package, dual-note horn, heavy-duty locking rear differential, front-only Black rubberized-vinyl floor covering and HVAC system auxiliary provisions (requires available rear door fixed window glass and passenger-side door fixed window glass)				
Hotel Shuttle Package	○	○	○	○
Front-only Black rubberized-vinyl floor covering, 150-amp alternator, Driver Convenience Package, rear door swing-out window glass, passenger-side door swing-out window glass, Solar-Ray deep-tinted glass and Chrome Appearance Package (requires available 6.6L V8 gas engine)				
Paratransit Package (Incomplete Vehicle)	○	○	○	○
Requires Medium Pewter interior; requires available driver and front passenger vinyl visors, rear door swing-out window glass, passenger-side door swing-out window glass, 150-amp or 220-amp alternator, heavy-duty battery with 770 cold-cranking amps (CCA) and full-body window glass				
Chrome Appearance Package	○	○	○	○
Front and rear chrome bumpers and chrome center grille bar				

	2500 RWB	2500 EWB	3500 RWB	3500 EWB
INTERIOR				
5-Passenger Express Crew Van Package	○	○	○	○
Second-row 3-passenger bench seat, Enhanced Technology Glass in side rear windows, Door Trim Panel Package, full-length Black rubberized-vinyl floor covering, full-body window glass, rear air conditioning, rear auxiliary heater and auxiliary lighting (requires Medium Pewter interior; requires available passenger-side door swing-out window glass and 150-amp or 220-amp alternator)				
Communications Package	○	○	–	–
6.6L V8 gas engine, 12 months of OnStar Vehicle Insights ¹ service, SiriusXM ^{®2} 3-month trial subscription, AM/FM stereo with MP3 player and USB port, ³ Bluetooth [®] audio streaming, ⁴ leather-wrapped steering wheel with mounted audio, cruise and phone controls, and Driver Convenience Package				
Driver Convenience Package	○	○	○	○
Manual tilt-wheel steering column and cruise control				
Enhanced Convenience Package	○	○	–	–
6.6L V8 gas engine, heavy-duty trailering equipment, 12 months of OnStar Vehicle Insights ¹ service, Remote Keyless Entry, remote vehicle starter system and Driver Convenience Package				
Safety Package	○	○	–	–
6.6L V8 gas engine, 12 months of OnStar Vehicle Insights ¹ service, Rear Park Assist ⁵ , Side Blind Zone Alert ⁵ and Driver Convenience Package				

¹ Terms apply. Available on select properly equipped 2015 model year and newer GM vehicles (excludes Volt, Low Cab Forward Trucks and GM vehicles built without OnStar Hardware, which includes but is not limited to select base Chevrolet and GMC trucks). Requires an active connected vehicle services plan. Fees, services, and availability subject to change without notice. Applicable taxes not included. Does not include emergency or security services. Diagnostics capabilities vary by vehicle model. Not all issues will deliver alerts. See onstarvehicleinsights.com for details and limitations. ² If you decide to continue service after your trial, your selected subscription plan will automatically renew thereafter. You will be charged at then-current rates. Fees and taxes apply. To cancel you must call SiriusXM at 1-866-635-2349. See SiriusXM Customer Agreement for complete terms at siriusxm.com. All fees and programming subject to change. ³ Not compatible with all devices. ⁴ Go to my.chevrolet.com/learnAbout/bluetooth to find out which phones are compatible with the vehicle. Full Bluetooth feature functionality varies by device, model and software version. ⁵ Safety or driver assistance features are no substitute for the driver's responsibility to operate the vehicle in a safe manner. Read the vehicle Owner's Manual for important feature limitations and information.

SPECIFICATIONS (CONTINUED)

MAXIMUM CAPACITIES

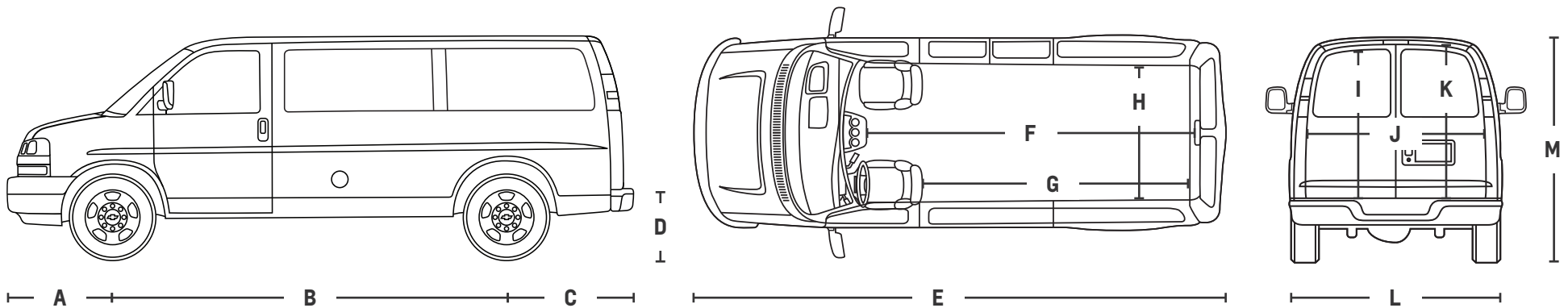
	REGULAR WHEELBASE	EXTENDED WHEELBASE
Fuel tank (approximate)	31 gallons	31 gallons
Cargo volume ¹ – behind first-row seat	239.4 cubic feet	283.6 cubic feet

DIMENSIONS (135" REGULAR WHEELBASE/155" EXTENDED WHEELBASE)

	REGULAR WHEELBASE	EXTENDED WHEELBASE
Head room (front)	40.9"	40.9"
Leg room (front)	41.4"	41.4"
Shoulder room (front)	68.9"	68.9"
Hip room (front)	65.5"	65.5"

DIMENSIONS (CONTINUED)

	REGULAR WHEELBASE	EXTENDED WHEELBASE
A – Front bumper to axle	39.7"	39.7"
B – Wheelbase	135.1"	155.1"
C – Rear bumper to axle	49.2"	49.2"
D – Ground to top of rear load floor	30.3"	29.8"
E – Overall vehicle length	224.0"	244.0"
F – Inside length at floor to engine cover	154.7"	173.6"
G – Inside length at floor to front seat	126.7"	146.7"
H – Inside width between wheelhousings	52.5"	52.5"
I – Rear door opening height	49.4"	47.9"
J – Rear door opening width at beltline	53.4"	53.4"
K – Cargo area height	55.1"	55.1"
L – Overall vehicle width	79.3"	79.3"
M – Height	84.7"	84.2"



¹ Cargo and load capacity limited by weight and distribution.

Always ready for overtime.

You know what Chevrolet Commercial Vehicles call 9 to 5? A decent start. Our lineup is ready to make light work of a long week, led by the powerful and dependable Silverado 1500 and Silverado HD, plus Silverado 3500 HD Chassis Cab. And let's not forget the strength of medium-duty Silverado 4500 HD/5500 HD/6500 HD Chassis Cabs, the maneuverability of the Low Cab Forward series and the utility of Express Vans. It all adds up to an unbeatable crew that never stops working.



**COMMERCIAL
VEHICLES**



COMMERCIAL PROGRAMS

OnStar Business Solutions

OnStar Business Solutions is a family of products that offers insight to find efficiencies, foresight to make better decisions, and confidence in knowing your people and your assets are protected and connected. Learn more at onstar.com/BusinessSolutions.

Manage the way your business moves with OnStar Vehicle Insights™¹ by OnStar Business Solutions. You can see your fleet in real time and receive actionable information to make more informed decisions. Learn more at onstarvehicleinsights.com.

Business Choice

This program² can give you the best value on the vehicles you count on. Business Choice includes a cash allowance on either GM Accessories or Upfits³ and you can even add the most current retail offers to your deal. Learn more at chevrolet.com/business-choice-offers.

Business Elite Dealers

These specialized dealers provide the know-how to help you select the right vehicles for the job. Plus, every Business Elite service department has the facilities, tools and technicians for your needs. Learn more at chevrolet.com/commercial/business-elite.



¹ Terms apply. Available on select properly equipped 2015 model year and newer GM vehicles (excludes Volt, Low Cab Forward Trucks and GM vehicles built without OnStar Hardware, which includes but is not limited to select base Chevrolet and GMC trucks). Requires an active connected vehicle services plan. Fees, services, and availability subject to change without notice. Applicable taxes not included. Does not include emergency or security services. Diagnostics capabilities vary by vehicle model. Not all issues will deliver alerts. See onstarvehicleinsights.com for details and limitations. ² The 2022 Business Choice Program is valid from September 10, 2021, to January 2, 2023. Customer must purchase or lease their vehicle during the program period and be prepared to provide proof of business ownership. Vehicle must be used in the day-to-day operations of the business and not solely for transportation purposes. This program may not be compatible with other offers or incentive programs. Consult with your GM dealer for program compatibility and other restrictions. For complete program requirements, including information regarding offers, vehicles, equipment, options, warranties, and ordering, consult your GM dealer. To qualify, vehicle must be used in the day-to-day operations of your business and not solely for personal/non-business-related transportation purposes. Proof of business ownership may be required. Not available with some other offers. For complete program requirements, including information regarding offers, vehicles, equipment, options, warranties, and ordering, consult your GM dealer. Take delivery by January 2, 2023. See dealer for details. ³ Equipment from independent suppliers is not covered by the GM New Vehicle Limited Warranty. GM is not responsible for the safety or quality of independent supplier alterations.

IMPORTANT INFORMATION



Every step of the way.

You may be discovering Chevrolet through a personalized online shopping experience or enjoying every year of vehicle ownership. Either way, we're committed to providing the tools and programs you need to help you get the most out of your journey.

Build & Price >

Create your perfect Chevrolet from start to finish.

Chevy MyWay¹ >

Engage in a real-time virtual video experience with a Chevy product specialist.

Chevrolet Complete Care >

Enjoy an owner benefit program that provides excellent service and support from day one.

Limited Warranty Coverage >

Discover all the ways Chevrolet is committed to providing an excellent ownership experience.



GM, the GM logo, Chevrolet, the Chevrolet logo, and the slogans, emblems, vehicle model names, vehicle body designs and other marks appearing in this brochure are the trademarks and/or service marks of General Motors, its subsidiaries, affiliates or licensors. ©2021 OnStar LLC. All rights reserved. Sirius, XM, SiriusXM and all related marks and logos are trademarks of Sirius XM Radio Inc. The Bluetooth word mark is a registered trademark owned by Bluetooth SIG, Inc., and any use of such mark by Chevrolet is under license.

©2021 General Motors. All rights reserved. December 2021

FIND NEW ROADS™

CHEVROLET.COM

¹ Chevy MyWay is available to anyone over 18 in the United States to access and experience via chevrolet.com/myway.