

1989 FORD MUSTANG



5.0

GT



EAGLE

## MUSTANG GT



*Mustang GT convertible in Cabernet Red. Shown with optional Oxford White leather seating surfaces.*

# GT

Mustang GT is one of the quickest cars on the road. That's a pretty strong statement considering the competition. But Mustang GT backs it up.

The 5.0 liter V-8 has been continually improved over the years to its current status of 225 horsepower at 4200 rpm and 300 ft. lb. of torque at only 3200 rpm.

But there's more to GT than just an awesome V-8 engine.

There's a taut handling suspension system with gas-pressurized struts in front and Ford's Quadra-shock system with Traction-Lok axle in the rear. A 5-speed manual transmission with overdrive fifth gear or optional automatic overdrive transmission. Rack-and-pinion power steering with a quick ratio 14.7:1 steering gear. Unidirectional

Goodyear Eagle P225/60VR 15-inch performance radials on 16-spoke cast aluminum wheels.

And then, of course, there's the bold, aggressive styling that makes Mustang GT instantly recognizable.

If you are of a performance mind, chances are you'll appreciate the interior of Mustang GT.

The full complement of analog gauges, including speedometer, tachometer, oil pressure, temperature and voltmeter, plus alert lights, helps you monitor the engine's performance.

The thick, soft-feel steering wheel tilts to five positions. The reclining, articulated front bucket seats are comfortable and firm with multiple adjustments including seat cushion side bolsters, under-high support and power lumbar support.

Even the brake and accelerator pedals are positioned to allow heel-and-toe downshifting and there is a left-side foot rest/support for the driver.

*Mustang GT hatchback in Dark Grey Metallic. Shown with optional rear window defroster.*



## INTRODUCING MUSTANG LX 5.0L

LX  
5.0

For 1989, Mustang LX has an added twist — the LX 5.0L Sport. It comes with the awesome performance of the 5.0L GT engine and the taut handling of the GT suspension all wrapped up in the smooth styling of the LX.

And it's available in 2-door hatchback, 2-door sedan and convertible models.

The standard transmission is the 5-speed manual or you

can opt for the convenience of the automatic overdrive transmission.

The suspension system is the same as that used for the GT. Gas-pressurized front struts and rear Quadra-shock set-up to give a firm, performance ride.

Quick 14.7:1 constant ratio power rack-and-pinion steering, Traction-Lok axle and performance radials with 10-hole cast aluminum wheels are also part of the package.

Hatchback and convertible models include articulated front bucket seats. The adjustable features of these seats include reclining backs, seat cushion side bolsters, under-thigh support and power lumbar support. Low back buckets are included with the 2-door sedan model.

*Mustang LX 5.0L 2-door hatchback in Black.*



*Mustang LX 5.0L convertible in Oxford White. Shown with optional Oxford White leather seating surfaces.*



*Mustang LX 5.0L 2-door sedan in Bright Red.*



## MUSTANG LX

LX

LX models are powered by a responsive 2.3 liter overhead cam 4-cylinder engine with electronically controlled multiple-port fuel injection. It is matched to a 5-speed manual transmission or optional 4-speed automatic overdrive.

The LX is well equipped, too. Rack-and-pinion power steering and front disc/rear drum power brakes are standard.

Inside are reclining low back bucket seats and center console. Full analog instrumentation is also standard along with an electronic AM/FM stereo search radio.

Hatchback models feature a split-fold rear seat and fully carpeted cargo area with a window shade-type cover. Sedan models have over nine cu. ft. of cargo area.

And with Mustang LX models you can get the Special Value Group at no charge. It includes the power lock group, dual electric remote mirrors, speed control, styled road wheels and cassette tape player (added to the standard electronic AM/FM stereo).

*Mustang LX 2-door sedan in Medium Shadow Blue Metallic. Shown with optional rear window defroster and Preferred Equipment Package 240A.*



*Mustang LX convertible in Bright Red. Shown with optional Oxford White leather seating surfaces and Preferred Equipment Package 240A.*



*Mustang LX 2-door hatchback in Oxford White. Shown with optional Preferred Equipment Package 240A.*



# MUSTANG INTERIOR

**N**o matter how good it is to look at, driving Mustang is the ultimate reward. Mustang's front bucket seats are designed to be firm and supportive to help reduce fatigue. High density foam pads in the seat cushion and seat back are shaped to give a wraparound effect to help hold you in place. The front seat backs recline so you can drive in the position that's right for you.

The rear bench seat provides room for two and in hatchback models it has a split-fold design that makes for a versatile cargo area.

In GT and the LX 5.0L (hatchback and convertible models), the articulated front bucket seats feature adjustable seat cushion side bolsters and an adjustable under-thigh support. There's also a power adjustable lumbar support in the front seat backs.

In all three models, the standard AM/FM stereo radio is electronically tuned and features four-speaker sound.



*The Mustang GT instrument panel (above) and interior (below) include equipment from optional Preferred Equipment Package 249A, plus the optional rear window defroster, and air conditioning.*



*Mustang GT front articulated bucket seats are shown above in Medium Grey.*

Or, order the Premium Sound System with six speakers and power amplifier.

The analog gauges are large and easy to read. And there is a full complement: fuel, temperature, voltmeter, oil pressure, speedometer and tachometer. The instrument cluster is also backlit for excellent night readability.

The optional speed control switches are set in the steering wheel spokes at your fingertips. Switches for headlights, emergency flasher and optional rear defroster are positioned high and directly in front of the driver so they are easy to reach and in clear view. For convenient operation, the turn signal lever includes controls for the interval wiper/washer, high beam and flash-to-pass. Climate control switches are rotary-designed to ease operation.

Both the left and right rear-view mirrors are remote controlled. In convertibles, the mirrors are electrically remote controlled and the windows and door locks are power.

*The Mustang LX interior in Scarlet Red (right), includes equipment from optional Preferred Equipment Package 240A, plus the optional Special Value Group. Other options shown are air conditioning, rear window defroster and automatic transmission.*

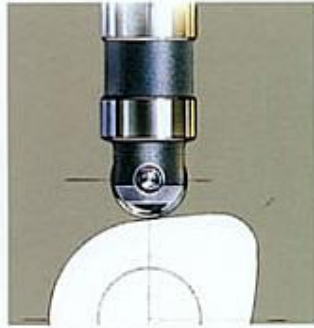


## MUSTANG ENGINEERING

**M**ustang's love for the road comes in part from its finely tuned suspension components matched to each model's personality.

In LX, for instance, the suspension utilizes gas-pressurized hydraulic struts and stabilizer bar in front along with gas-pressurized hydraulic shocks in the rear.

In GT and the new LX 5.0L Sport model, the components are designed to achieve higher performance capabilities. Some of those components are progressive rate springs and a larger stabilizer in front. In the rear is the Quadra-shock system. The system incorporates two vertically mounted gas-pressurized shocks, two horizontally mounted axle dampers and stabilizer bar for a "car on rails" feeling.



Roller tappets in the 5.0L help reduce friction and heat.

#### THE HIGH PERFORMANCE 5.0 LITER EFI HIGH OUTPUT (HO) V-8 ENGINE

The High Output V-8 engine is rated at 225 horsepower at 4,200 rpm. It also delivers 300 foot pounds of torque at 3,200 rpm.

Some of the components used to reach those impressive figures are: sequential multiple-port fuel injection with electronic control; high performance induction-hard-

ened camshaft; low friction roller tappets; double-roller timing chain; forged aluminum alloy pistons; stainless steel tuned tubular headers; large diameter dual exhausts and much more.

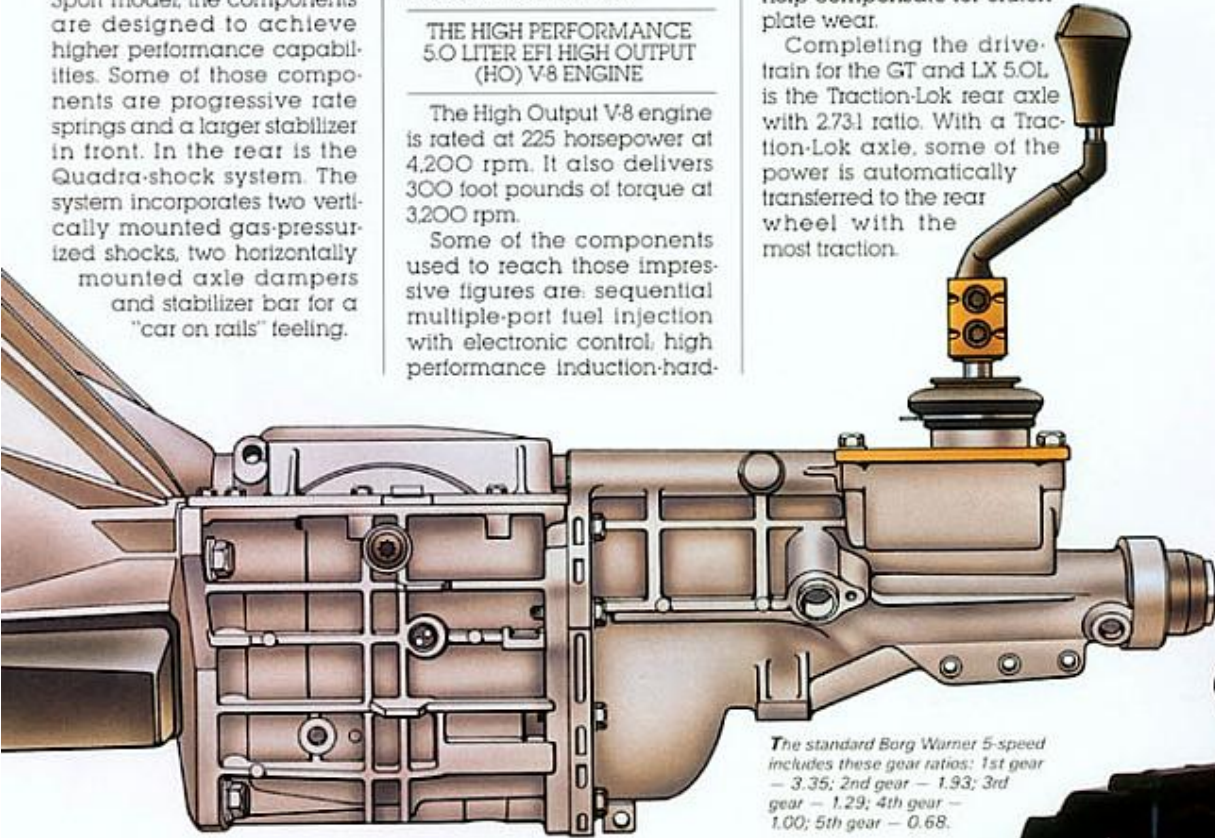
A standard 5-speed manual transmission with overdrive fifth lets you utilize all that power with direct linkage shifting. The clutch engagement is through a cable that is self adjusting to help compensate for clutch plate wear.

Completing the drivetrain for the GT and LX 5.0L is the Traction-Lok rear axle with 2.73:1 ratio. With a Traction-Lok axle, some of the power is automatically transferred to the rear wheel with the most traction.

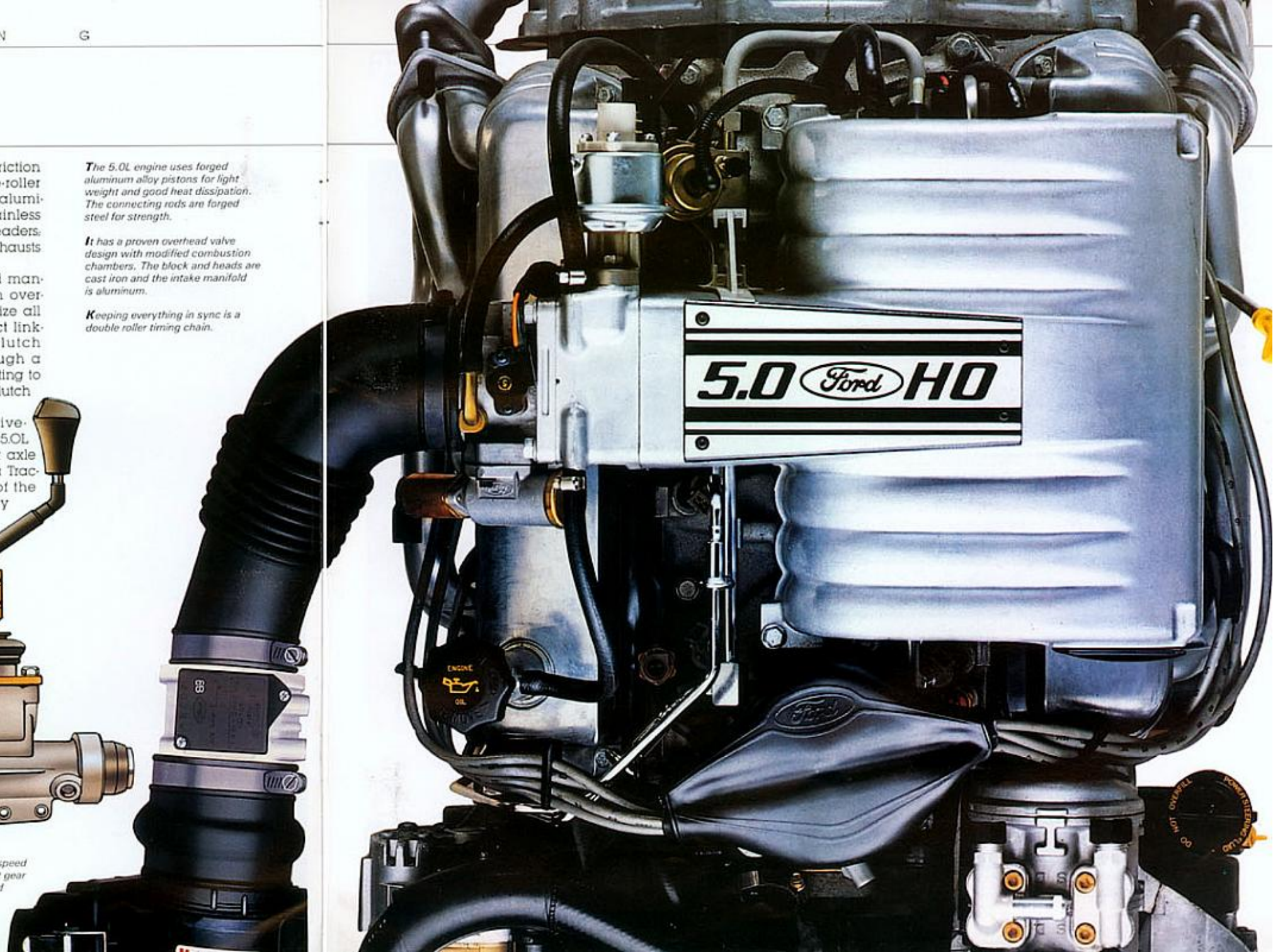
*The 5.0L engine uses forged aluminum alloy pistons for light weight and good heat dissipation. The connecting rods are forged steel for strength.*

*It has a proven overhead valve design with modified combustion chambers. The block and heads are cast iron and the intake manifold is aluminum.*

*Keeping everything in sync is a double roller timing chain.*



*The standard Borg Warner 5-speed includes these gear ratios: 1st gear - 3.35; 2nd gear - 1.93; 3rd gear - 1.29; 4th gear - 1.00; 5th gear - 0.68.*



## OPTIONS AND SPECIAL VALUE GROUPS

**M**ustang offers a wide range of options available individually and in Special Value Groups.

For individual options, consider the convenience of the automatic transmission with overdrive, available on all models—GT, LX 5.0L and LX.

For your listening enjoyment, Mustang offers the electronic AM/FM stereo with cassette tape player. Add to that the richness of the Premium Sound System with six speakers and 80 watts of power.

If you like the open air but don't want a convertible, the flip-up open-air roof might be the answer. It's available for hatchback models and can be tilted up partially or removed completely.

### SPECIAL VALUE GROUP

When you purchase your Mustang LX, you can get the Special Value Group at no charge.

The Group includes the cassette tape player (added to the standard electronic AM/FM stereo), speed control, dual electric remote-control mirrors (standard on convertibles), styled road wheels (not available with GT or 5.0L LX) and the Power Lock Group which includes power door locks, remote locking fuel door release and remote trunk or hatch release. This Special Value Group is also available to dress up your GT and 5.0L LX Mustang.

### CUSTOM EQUIPMENT GROUP

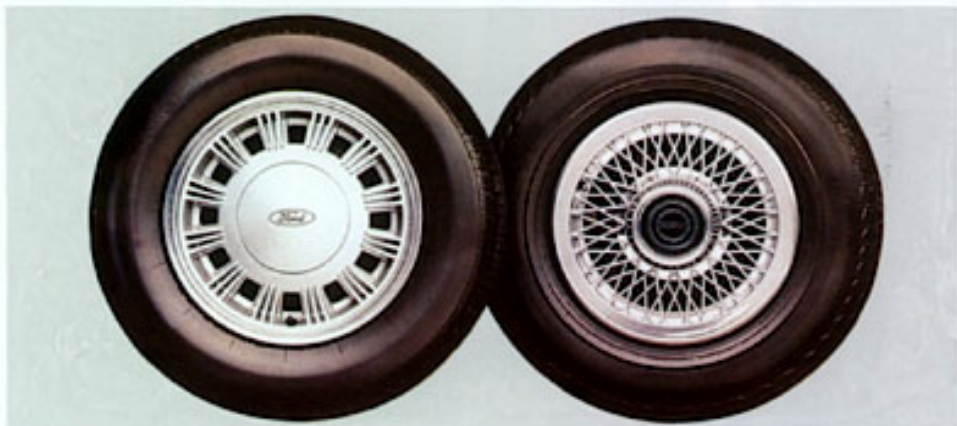
On sedan and hatchback models, this optional group includes air conditioning, dual illuminated visor mirrors, tilt steering wheel (standard on GT), and power side windows. And by ordering the Group, you save money over the price of these options purchased separately.



*Electronic AM/FM stereo with cassette tape player and Premium Sound System.*



*Air conditioning with rotary controls.*



*Styled road wheels (part of the Special Value Package on LX models with 2.3L engine).*

*Wire-style wheel covers for LX models with 2.3L engine.*



# FEATURES AND OPTIONS

## NOTABLE STANDARD FEATURES

### Mustang LX

#### Exterior

- Flush, aerodynamic halogen headlamps
- Urethane lower bodyside protection
- Black bodyside protection moldings
- Flush quarter window glass (sedans and hatchbacks)
- Wraparound taillamps with tri-colored lenses
- Dual remote control mirrors (RH convex)
- Color coordinated bodyside paint stripe
- Single wing rear spoiler with integrated stop lamp (hatchbacks)
- Turbine wheel covers
- Luggage rack with integrated stop lamp (convertibles)
- Dual electric remote control mirrors (convertibles)

#### Interior

- Front and rear ashtrays
- Cargo area cover (hatchbacks)
- Center console
- Full instrumentation — tachometer, trip odometer, voltmeter, temperature, fuel and oil pressure gauges
- Light Group — Lamps in dome (integrated in mirror on convertibles) with door courtesy switches, lights in engine compartment, luggage or cargo compartment, glove box, front ashtray and headlamps "on" alert chime
- Footwell courtesy lights (convertibles)
- Dual visor mirrors with covers
- Low back reclining cloth bucket seats with cloth headrests
- Split/fold-down rear seat (hatchbacks)
- Stalk-mounted controls

- Full wrapover door trim panels with full length armrests and map pockets
- Power lock group (convertibles) — power door locks, remote fuel filler door release, power decklid or hatch release
- Side window demisters
- Tinted glass
- Electronic AM/FM stereo seek radio with integral digital clock and four speakers
- Power side and quarter windows (convertibles)
- Interval wipers
- Luxury Sound Insulation Package

### LX 5.0L (over LX)

#### Exterior

- 10-hole 15"x7" cast aluminum wheels

#### Interior

- Articulated sport seats, cloth trim, four way headrests and power lumbar support (hatchbacks and convertibles)

### GT (over LX and LX 5.0L)

#### Exterior

- Front air dam
- Round Hella® fog lamps
- Louvered wraparound taillamps with bi-colored lenses
- Body-color bodyside protection molding (titanium with optional lower titanium accent treatment)
- Flared rocker moldings with integrated spats
- 16-spoke cast aluminum wheels with locking lug nuts

#### Interior

- Alert lights for oil check, low coolant, low fuel and low washer fluid
- Tilt steering wheel

OPTIONS AND PREFERRED EQUIPMENT PACKAGES 0=Optional X=Included in Package	LX	LX 5.0L	GT	Preferred Equipment Packages		
				LX 240A	LX 5.0L 245A	GT 249A
<b>Exterior</b>						
Styled road wheels				X		
Wire-style wheel covers	0					
Dual electric remote control mirrors (standard on convertibles)				X	X	X
Flip-up open-air roof (hatchbacks)	0	0	0	0	0	0
Lower bodyside titanium accent treatment			0			0
Bodyside molding insert stripe	0	0	0	0	0	0
<b>Interior</b>						
Leather seating surfaces (convertibles)	0	0	0	0	0	0
Vinyl seat trim	0					
Tilt steering wheel	0	0		0	0	
Speed control				X	X	X
Air conditioner	0	0	0	0	0	0
Rear window defroster	0	0	0	0	0	0
Dual illuminated visor mirrors				X	X	X
Power Lock Group				X	X	X
Power front side windows	0	0	0	0	0	0
Electronic AM/FM stereo search radio with cassette tape player				X	X	X
Premium Sound System	0	0	0	0	0	0
Special Value Group (see page 12 for content)	0	0	0	0	0	0
Custom Equipment Group (see page 12 for content)	0	0	0	0	0	0

# SPECIFICATIONS

# COLORS AND TRIMS

## MUSTANG GT AND LX 5.0L

Engine type	5.0L overhead valve V-8
Compression ratio	9.0:1
Induction system	Electronic sequential multiple-port fuel injection
Fuel tank	15.4 gallons with tethered cap
Transmission	Standard 5-speed manual Optional automatic overdrive
Suspension, front	Modified MacPherson, nitrogen gas-pressurized hydraulic struts, variable rate coil springs, stabilizer bar
Suspension, rear	Variable rate coil springs, Quadra-Shock with vertically mounted nitrogen gas-pressurized hydraulic shocks, horizontally-mounted hydraulic with freon-filled bag axle dampers, stabilizer bar
Steering	Power rack-and-pinion, 14.7:1 on center ratio
Brakes	Power front disc/rear drum
Wheels	15-inch cast aluminum, (16-spoke style on GT, 10-hole style on LX 5.0L)
Tires	P225/60VR15 unidirectional Goodyear performance radials

## MUSTANG LX

Engine type	2.3L OHC 4-cylinder
Compression ratio	9.5:1
Induction system	Electronic multiple port fuel injection
Fuel tank	15.4 gallons with tethered cap
Transmission	Standard 5-speed manual Optional automatic overdrive
Suspension, front	Modified MacPherson, nitrogen gas-pressurized hydraulic struts, coil springs, stabilizer bar
Suspension, rear	Four-bar link, nitrogen gas-pressurized hydraulic shocks, coil springs
Steering	Power rack-and-pinion, 20:1 ratio
Brakes	Power front disc/rear drum
Wheels	Stamped steel, 14 x 5 inch
Tires	Standard P195/75R14 BSW steel-belted radials Optional P195/75R14 WSW steel-belted radials

## DIMENSIONS

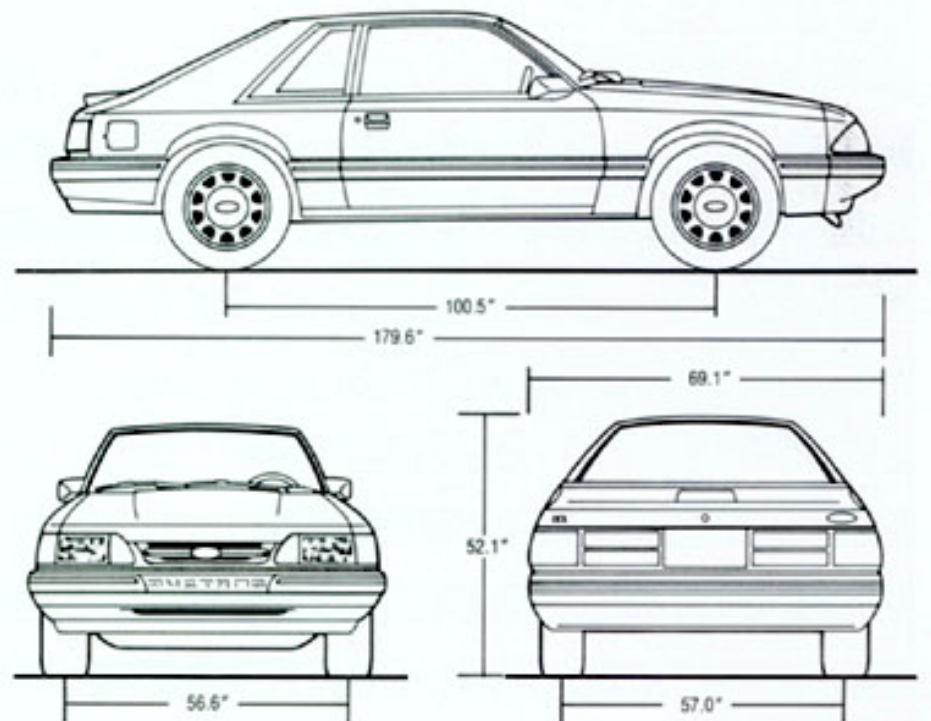
	2-Door Sedan	2-Door Hatchback	Convertible
Wheelbase	100.5"	100.5"	100.5"
Length	179.6"	179.6"	179.6"
Height	52.1"	52.1"	51.9"
Width	69.1"	69.1"	69.1"
Front tread	56.6"	56.6" (1)	56.6"
Rear tread	57.0"	57.0"	57.0"
Trunk or cargo volume (cu. ft.)	9.9	12.2 (2)	6.4
Passenger capacity	4	4	4

(1) 57.9 with GT. (2) 30.0 cu. ft. with rear seat backs down.

## Interior Colors

	Regatta Blue	Scarlet Red	Medium Grey	Beige	Exterior Colors
	X	X	X	X	Black
	X	X			Dark Grey Metallic
	X	X			Light Grey
	X	X	X		Bright Red
	X	X	X		Cabernet Red
X		X			Medium Shadow Blue Metallic
				X	Tropical Yellow
X		X			Deep Shadow Blue Metallic
X		X			Bright Regatta Blue Metallic
				X	Almond
X	X	X	X	X	Oxford White

Some of these paint and trim colors are shown in this catalog. On the printed page, of course, colors are at best only representative of the originals. Your Ford Dealer can show you actual samples of paint colors and trim materials.



# SAFETY AND OWNER BENEFITS

**F**ord Motor Company strongly encourages all passengers to use their safety belts. Ford urges the use of child and infant restraints, as required in all states. Ford's easy-to-install Tot-Guard (for children 20 to 50 pounds) is available at all Ford Dealers. If a child restraint requires a top- tether, Ford cars provide for attachment of an anchor at each outboard seating position (except Mustang Convertible models).



## FORD LIFEGUARD DESIGN SAFETY FEATURES

### Vehicle operation

- Split service hydraulic brake system with warning light
- Corrosion-resistant brake lines
- Flash-to-pass headlamps
- Turn indicator with lane-changing signal feature
- Hazard warning flasher
- Backup lights
- Parking lights coupled with headlamps
- High-mount stop lamp
- Variable-speed windshield wipers
- Windshield washers
- Outside rearview mirrors
- Glare-reduced instrument panel, windshield wiper arms and windshield pillars
- Uniform transmission shift quadrant (on all cars equipped with automatic transmission)
- Clutch or neutral interlock for starter motor (on cars equipped with manual transmissions)
- Continuously variable control illumination intensity (instrument cluster lighting)
- Safety hood latch system
- Responsive windshield defroster system
- Tamper-resistant (non-reversing) odometer
- Speedometer with highlighted 55-mph

### Occupant protection

- Safety-designed front end structure
- Safety-designed roof structure
- Steel guard rails in side doors
- Safety-designed door hinges and double yoke safety door latches
- Integral lap and shoulder belts with automatic retractors for occupants of front seats
- Seat belt fastening reminder warning light and buzzer for

- the driver's seat
- Lap belts with retractors for rear seat occupants
- Energy-absorbing steering column
- Energy-absorbing armrests and safety-designed door handles
- Energy-absorbing instrument panel with padding
- Energy-absorbing sun visors
- Energy-absorbing front seat back tops
- Self-locking seat back latches
- Head restraints for front outboard occupants
- Safety glove box latch
- Inside yieldaway rearview mirror
- Impact-absorbing laminated safety glass windshield
- Flame-resistant interior materials
- Safety-designed coat hooks
- Safety-designed radio control knobs and push buttons

## 6-YEAR/60,000-MILE POWERTRAIN WARRANTY

Ford's powertrain warranty covers all new cars for 6 years or 60,000 miles, whichever comes first. This limited warranty covers major powertrain components. Certain restrictions and deductible apply. Ask your dealer for a copy.

## 6-YEAR/100,000-MILE CORROSION PROTECTION

Mustang's corrosion protection warranty coverage for outer body panel rust-through is 6 years or 100,000 miles, whichever comes first. See your dealer for details and a copy of this limited warranty.

## 5-MILE-PER-HOUR BUMPERS

Ford equips Mustang with impact-resistant front and rear bumpers that meet damageability requirements of the Federal Bumper Standard at 5 mph (exceeding the Standard's 2 1/2-mph requirement).

## SCHEDULED MAINTENANCE

Here are some examples of scheduled maintenance intervals for the 1989 Mustang. For complete maintenance

recommendations, refer to the Maintenance Schedule and Record Log.

Engine oil and filter change	.....	each 7,500 miles or 6 months
Spark plug change	.....	each 30,000 miles
Air filter replacement	.....	each 30,000 miles
Engine coolant replacement	.....	each 30,000 miles or 3 years



Participating Ford Dealers offer the Lifetime Service Guarantee, which guarantees their customer-paid work on your Ford vehicle for as long as you own it. The covered repair is paid for once. If it ever has to be fixed again, the repairing dealer will fix it free. Ask to see this limited warranty when you visit your participating Ford Dealer.



Optional Ford Extended Service Plans cover major components on new Ford cars and light trucks for longer than the vehicle's basic warranty. Your Ford Dealer has full details.

## Motorcraft

### QUALITY REPLACEMENT PARTS FROM FORD

Genuine Ford and Motorcraft original equipment replacement parts meet the same high standards as those installed in production.



The leasing alternative is available through your Ford Dealer. A participating dealer can arrange financing terms or a Red Carpet Lease<sup>®</sup> tailored to your circumstances through Ford Credit.

### Technical service bulletins

All vehicles need repairs during their lifetime. Sometimes Ford issues technical service bulletins (TSBs) and easy-to-read explanations describing unusual

engine or transmission conditions which may lead to costly repairs, the recommended repairs, and new repair procedures. Often a repair now can prevent a more serious repair later.

### For more information...

Ask Ford Motor Company or your Ford or Lincoln Mercury, Scorpio or XR4Ti Dealer about Ford-paid repair programs and/or TSBs relating to your vehicle.

To get copies of these materials for your vehicle or the vehicle of interest to you. Call Ford toll-free at 1-800-241-3673. Alaska/Hawaii call 1-800-241-3711 and in Georgia call 1-800-282-0959.

### Or write Ford at:

Ford Customer  
Information System  
Post Office Box 95427  
Atlanta, Georgia 30347

We'll need your name and address, year, make and model vehicle, as well as engine size, and whether you have a manual or automatic transmission.

### Ford-paid repair programs after the warranty period

Sometimes Ford offers adjustment programs to pay all or part of the cost of certain repairs. These programs are intended to assist owners and are in addition to the warranty or to required recalls.

### Options availability

Options shown or described in this catalog are available at extra cost and may be offered only in combination with other options or subject to additional ordering requirements or limitations.

### Product changes

Ford Division reserves the right to change product specifications at any time without incurring obligations.

### "Ask your Ford Dealer"

Following publication of this catalog, certain changes in standard equipment, options, prices and the like, or product delays, may have occurred which would not be included in these pages. Your Ford Dealer is your best source for up-to-date information.

